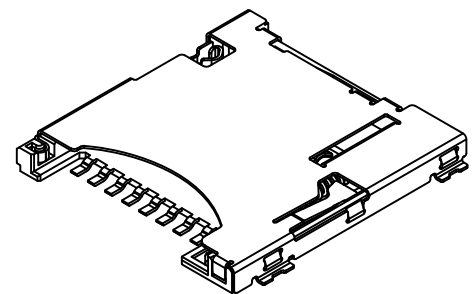
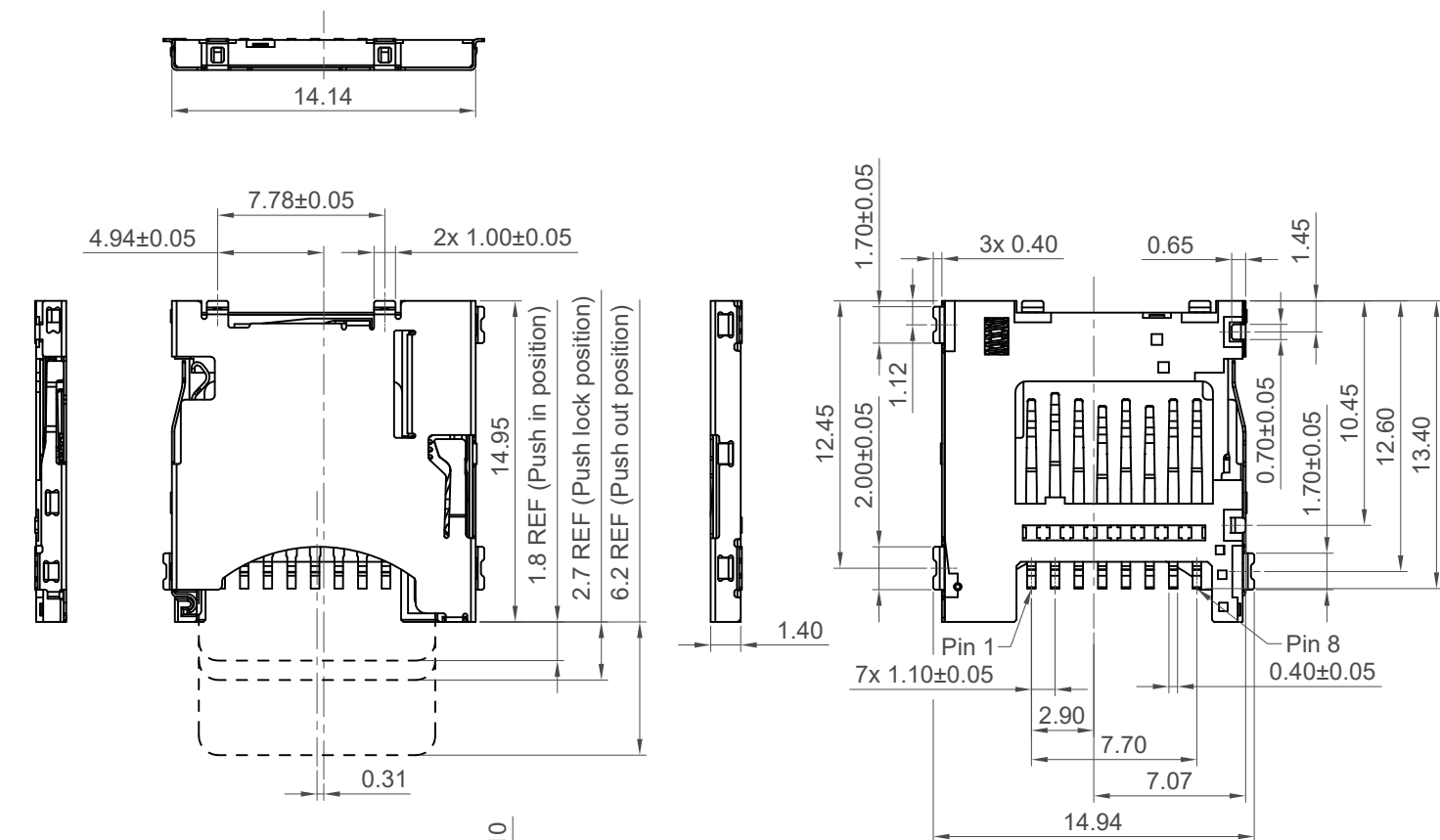


H
G
F
E
D
C
B
A



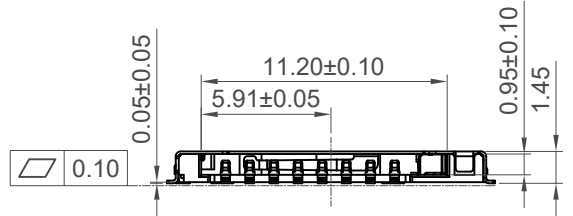
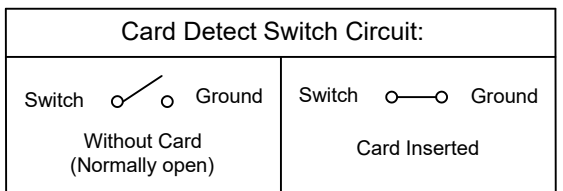
Specifications

Material
 Housing&Slider: LCP, UL94V-0, Black
 Terminal: Phosphor Bronze
 Shell: Stainless Steel
 Coil Spring: SWP
 Latch: Stainless Steel

Plating
 Terminal:
 Contact Area: Gold Flash
 Soldering Area: 100µ" min. Tin
 Under-plating: 50µ" Min. Nickel All Over
 Metallic Shell :
 Soldering Area : Gold Flash
 Under-plating : 50µ" Min. Nickel All Over
 Coil Spring&Latch: Clear

Electrical
 Voltage Rating: 5V AC/DC
 Current Rating: 0.5A AC/DC max.
 Contact Resistance: 100mΩ max.
 Insulating Resistance: 1000MΩ min. at 500V DC
 Dielectric Withstand Voltage: 500V AC

Mechanical & Environmental
 Durability: 10000 Cycles
 Operating Temperature: -40°C to +85°C



Ordering Grid

MEM2090 — **00** — **145** — **00** — **A** Request Samples and Quotation

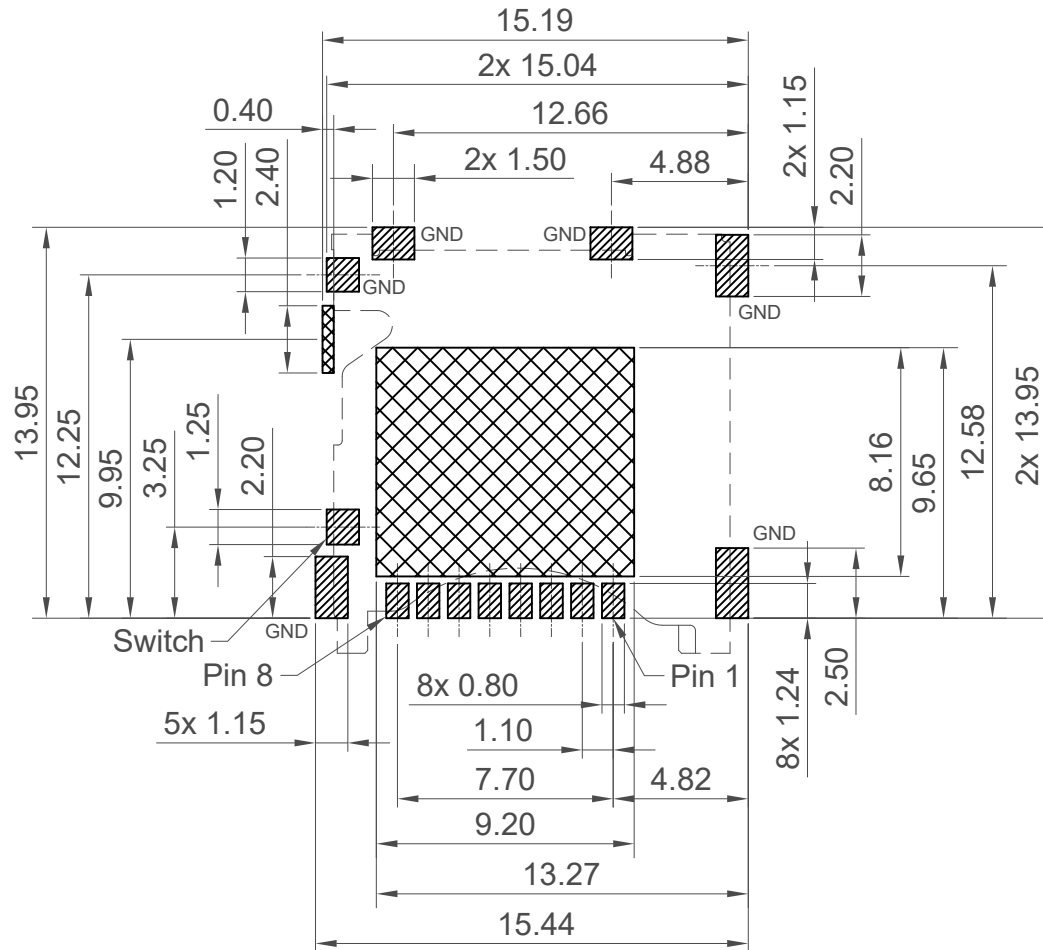
Switch
00 = Normally Open

Locating Post
00 = Without

Packing Options
A = Tape & Reel (1500 per Reel)

Part Number		Product Description		
MEM2090		Micro SD Memory Card Connector		
Drawing Date		Push-Push, SMT, 1.45mm Profile		
19th December 2023				
By	CC	Tolerances (Except as Noted)	Units:	
Detail	Drawing Release	Length	Metric (mm)	
Revision	A	Angle	±2°	
Date	19/12/23	X.X ±0.30 X.XX ±0.20 X.XXX ±0.05	3rd Angle Projection	
<p>This drawing is confidential and copyright of Global Connector Technology, Ltd (GCT). This drawing must not be copied or disclosed without written consent. E & OE</p>				
Not to Scale		Drawn By	CC	Sheet No.
				1/3









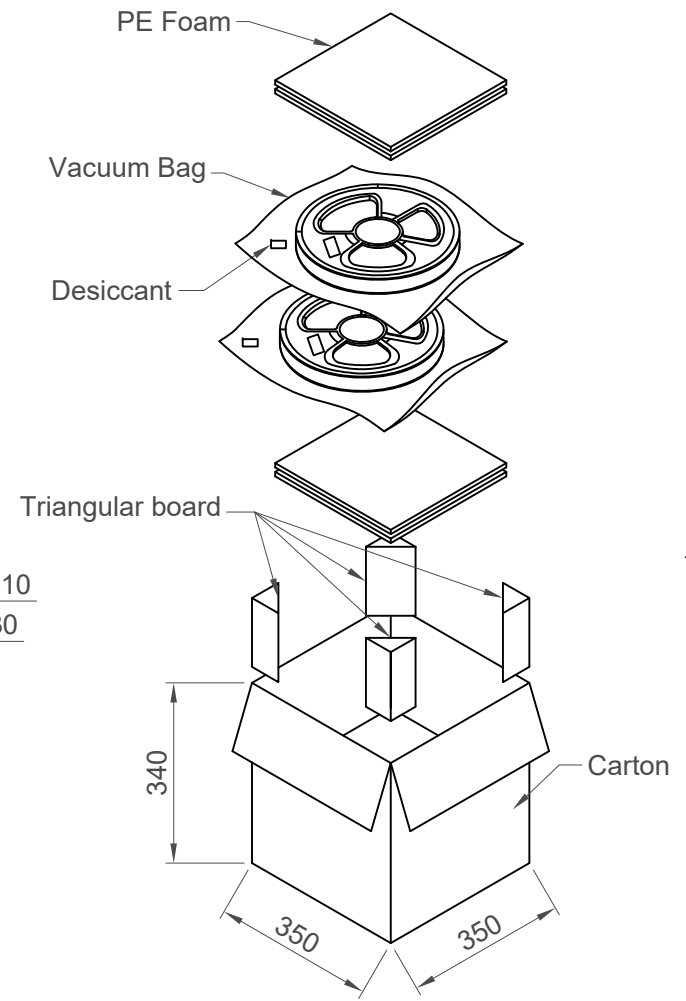
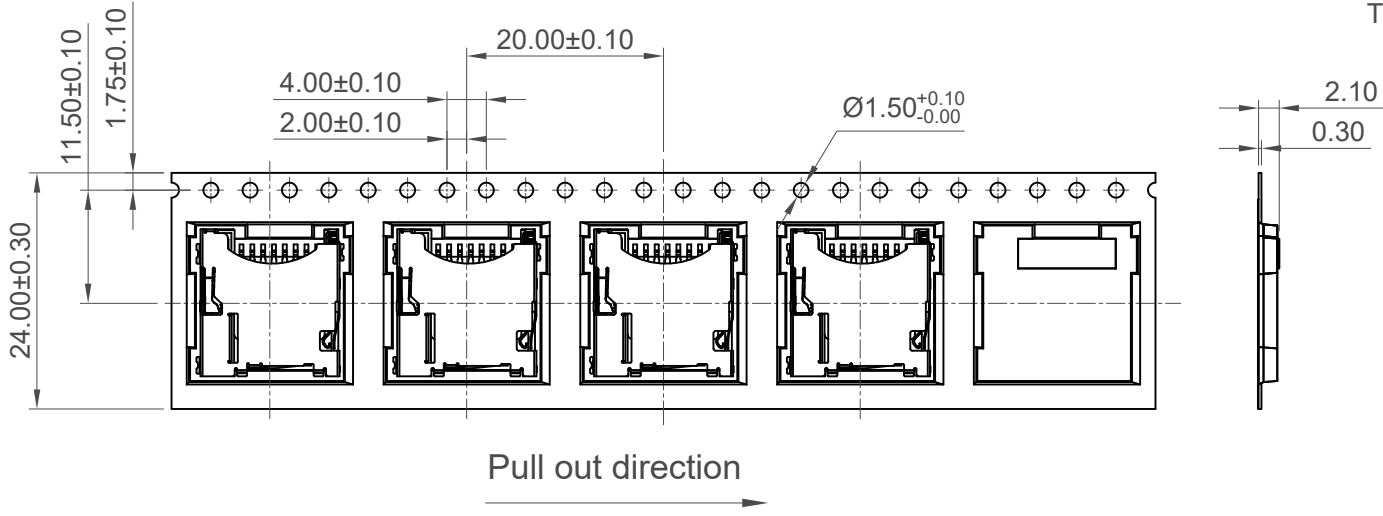
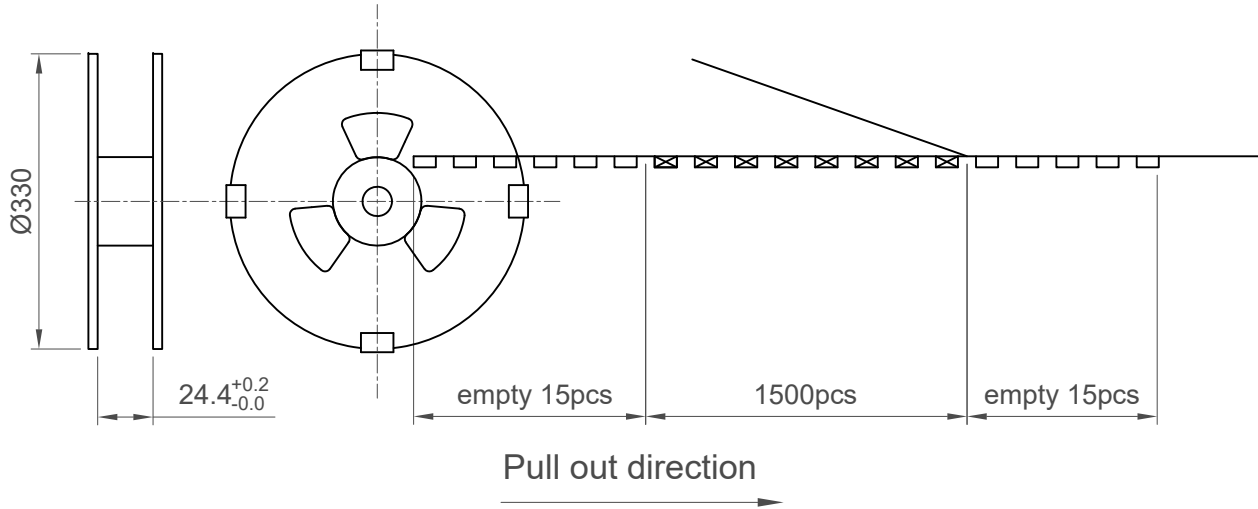
Recommended PCB Layout

As viewed from component side General Tolerance: ± 0.05

 Solder Area
  Solder Keep Out Area
  Component Outline

Pin Assignment		
Pin	Name	Description
P1	DAT2	Data Bit 2
P2	CD/DAT3	Card Detect/Data Bit 3
P3	CMD	Command Line
P4	V _{DD}	Supply Voltage
P5	CLK	Clock
P6	V _{SS}	Ground
P7	DAT0	Data Bit 0
P8	DAT1	Data Bit 1

Part Number		Product Description		 www.gct.co
MEM2090		Micro SD Memory Card Connector		
Drawing Date		Push-Push, SMT, 1.45mm Profile		
19th December 2023				
By	CC	Tolerances (Except as Noted)	Units:	  This drawing is confidential and copyright of Global Connector Technology, Ltd (GCT). This drawing must not be copied or disclosed without written consent. E & OE
Detail	Drawing Release	Length	Metric (mm)	
Revision	A	X.X ± 0.30	$\pm 2^\circ$	
Date	19/12/23	X.XX ± 0.20		
		X.XXX ± 0.05		
Not to Scale	Drawn By	CC	Sheet No.	2/3



Pcs/Reel	Reels/Carton	Pcs/Carton
1500	10	15000

Part Number		Product Description			This drawing is confidential and copyright of Global Connector Technology, Ltd (GCT). This drawing must not be copied or disclosed without written consent. E & OE	www.gct.co
MEM2090		Micro SD Memory Card Connector				
Drawing Date		Push-Push, SMT, 1.45mm Profile				
19th December 2023						
By	CC	Tolerances (Except as Noted)		Units:		
Detail	Drawing Release	Length	Angle	Metric (mm)		
Revision	A	-	-			
Date	18/12/23					
Not to Scale	Drawn By	CC	Sheet No.	3/3		